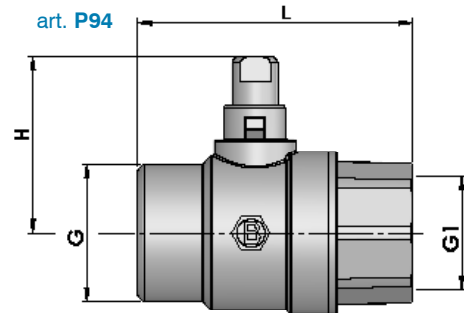
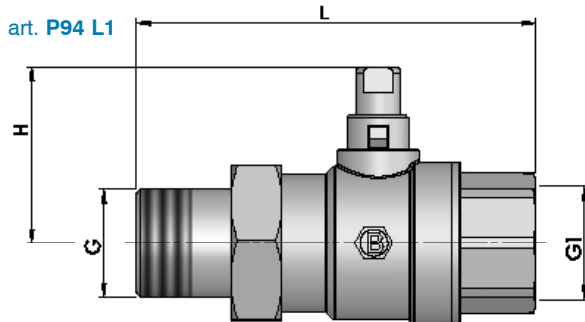




## 2-WAY ZONE BALL VALVES

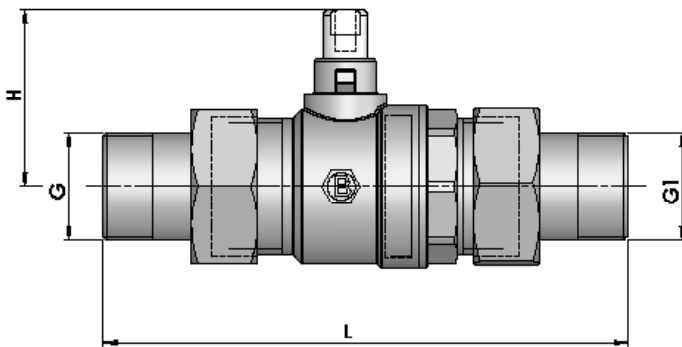
### Dimensions



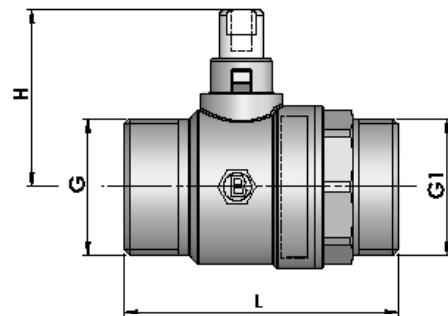
Code	P [bar]	G	G1	DN	fittings	L	H	Weight	N. P/B	N. P/C
P94015C00L1	16	1/2" M	1/2" F	15	✓	83	39,5	306	10	40
P94015C00	16	3/4" M	1/2" F	15	-	56	39,5	240	10	40
P94020C00L1	16	3/4" M	3/4" F	20	✓	96	42,5	458	5	40
P94020C00	16	1" M	3/4" F	20	-	66	42,5	360	5	40
P94025C00L1	16	1" M	1" F	25	✓	116	47	802	5	30
P94025C00	16	1"1/4 M	1" F	25	-	79	47	630	5	30
P94032C00L1	16	1"1/4 M	1"1/4 F	32	✓	126	51,5	1065	5	10
P94032C00	16	1"1/2 M	1"1/4 F	32	-	87	51,5	830	5	10

Weight (grams) - N. P/B: number of pieces in box, plastic bag - N. P/C: number of pieces in carton

art. P95 L2



art. P95

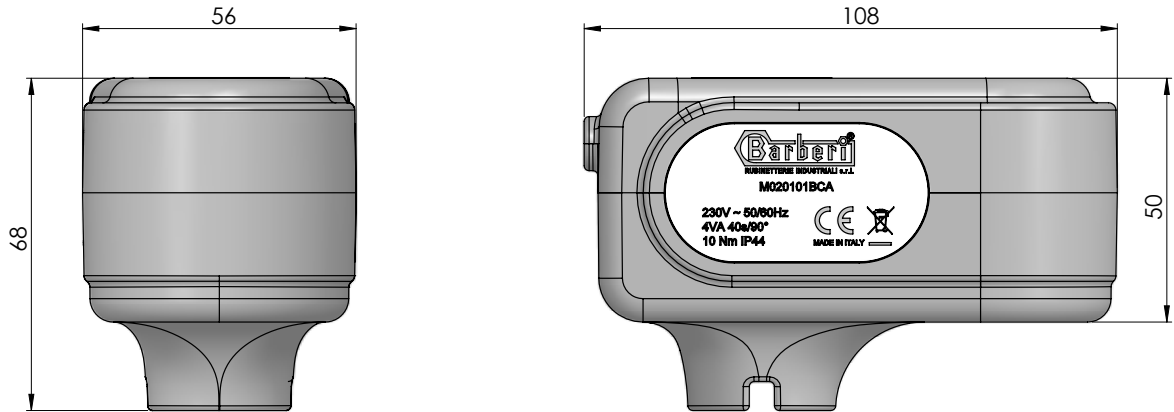


Code	P [bar]	G	G1	DN	fittings	L	H	Weight	N. P/B	N. P/C
P95015C00L2	16	1/2" M	1/2" M	15	✓	110	39,5	322	10	40
P95015C00	16	3/4" M	3/4" M	15	-	56	39,5	190	10	40
P95020C00L2	16	3/4" M	3/4" M	20	✓	126	42,5	491	5	40
P95020C00	16	1" M	1" M	20	-	66	42,5	295	5	40
P95025C00L2	16	1" M	1" M	25	✓	155	47	829	5	30
P95025C00	16	1"1/4 M	1"1/4 M	25	-	81	47	485	5	30
P95032C00L2	16	1"1/4 M	1"1/4 M	32	✓	169,5	51,5	1045	5	10
P95032C00	16	1"1/2 M	1"1/2 M	32	-	91,5	51,5	575	5	10

Weight (grams) - N. P/B: number of pieces in box, plastic bag - N. P/C: number of pieces in carton

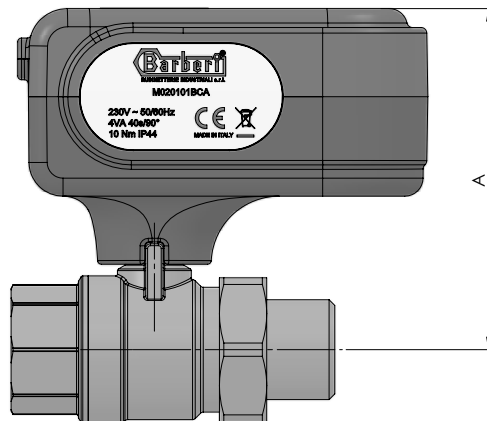
## 2-WAY ZONE BALL VALVES

art. **M02**



Code	V	control	Running time [s]	N° poles	Torque [Nm]	Weight	N. P/B	N. P/C
<b>M020101BCA</b>	230 V	2 pt.	40	4	10	-	1	10
<b>M020102BCA</b>	24 V	2 pt.	40	4	10	-	1	10
<b>M020101CCA</b>	230 V	2 pt.	40	5	10	-	1	10
<b>M020102CCA</b>	24 V	2 pt.	40	5	10	-	1	10

*Weight (grams) - N. P/B: number of pieces in box, plastic bag - N. P/C: number of pieces in carton*



DN	A
15	87,5
20	90,5
25	95
32	99,5

## 2-WAY ZONE BALL VALVES

### Specifications

The specification's text refers to a specific article reference. Each version of the product obliges the engineer to modify the specification's text

#### Art.Ref P94015C00L1

2-way zone ball valves M.F. to be motorized - chrome plated. 1/2" nut and fitting connection and 1/2" female threaded connection. Materials: brass body, PTFE and NBR sealings. Max. working pressure 16 bar, working temperature range 0-95°C.

#### Art.Ref P94020C00

2-way zone ball valves M.F. to be motorized - chrome plated. 1" threaded Male connection and 3/4" threaded female connection. Materials: brass body, PTFE and NBR sealings. Max. working pressure 16 bar, working temperature range 0-95°C.

#### Art.Ref P95032C00L2

2-way zone ball valves M.M. to be motorized - chrome plated. *Connections through 1"1/4 nut and fitting.* Materials: brass body, PTFE and NBR sealings. Max. working pressure 16 bar, working temperature range 0-95°C.

#### Art.Ref M020101BCA

Actuator 230V~50/60Hz - 4VA - 40s/90° - 10Nm - 2 points controls - IP44 - isolation in class II - Cable 4 poles 0,8m stapled.

### Accessories

## Art. P93

Fitting with running nut and flat gasket



Max working temperature: 100 °C

code	size	surface treatment	P [bar]
<b>P93</b> 015 N00	G 1/2" M - G 3/4" F	Nichel	25
<b>P93</b> 020 N00	G 3/4" M - G 1" F	Nichel	25
<b>P93</b> 025 N00	G 1" M - G 1"1/4" F	Nichel	25
<b>P93</b> 032 N00	G 1"1/4 M- G 1"1/2 F	Nichel	25
<b>P93</b> 015 000	G 1/2" M - G 3/4" F	-	25
<b>P93</b> 020 000	G 3/4" M - G 1" F	-	25
<b>P93</b> 025 000	G 1" M - G 1"1/4" F	-	25
<b>P93</b> 032 000	G 1"1/4 M- G 1"1/2 F	-	25